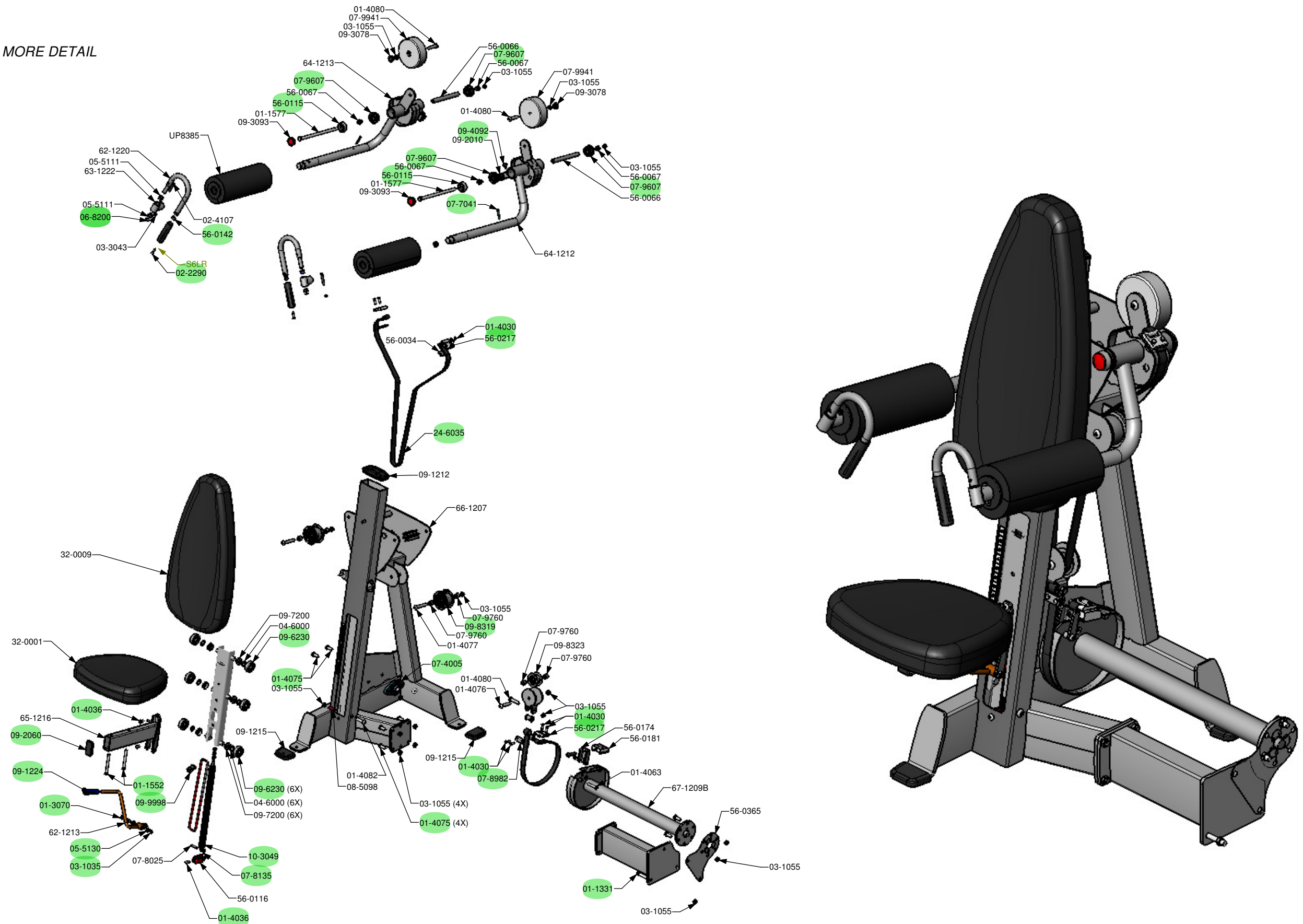


S6LR

SEE SECONDARY SHEETS FOR MORE DETAIL



NAUTILUS, INC.
 16400 SE NAUTILUS DRIVE, VANCOUVER, WA 98683
 CONTACT

This document is the property of Nautilus, Inc. It may not be reproduced in whole or part, provided to third parties, or used for any purposes other than the performance of work for Nautilus, Inc. without written authorization. All rights are reserved, including copyrights.

DESIGNED	R.ANDERS
DRAWN	C.Wishon
DATE	11/08/07

TITLE	S6 LATERAL RAISE	
SIZE	PART NO.	REV.
D	S6LR	G

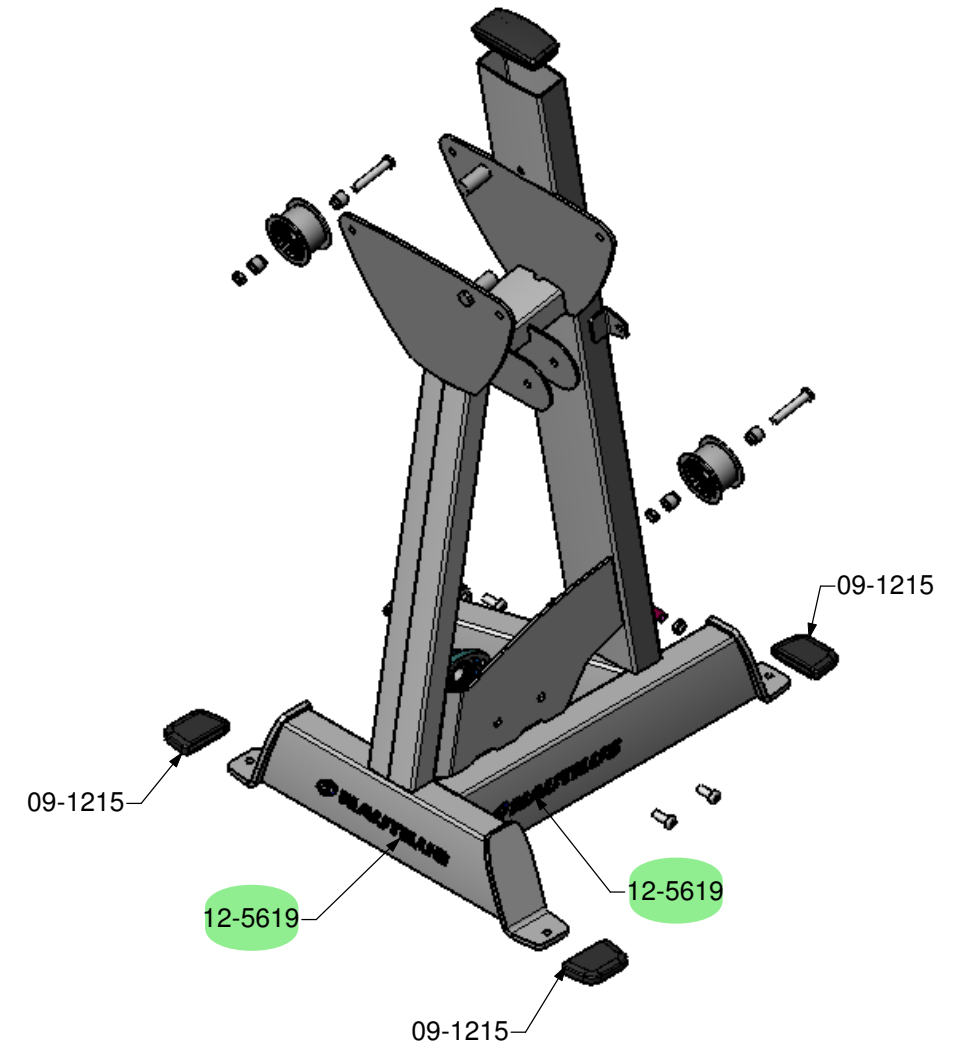
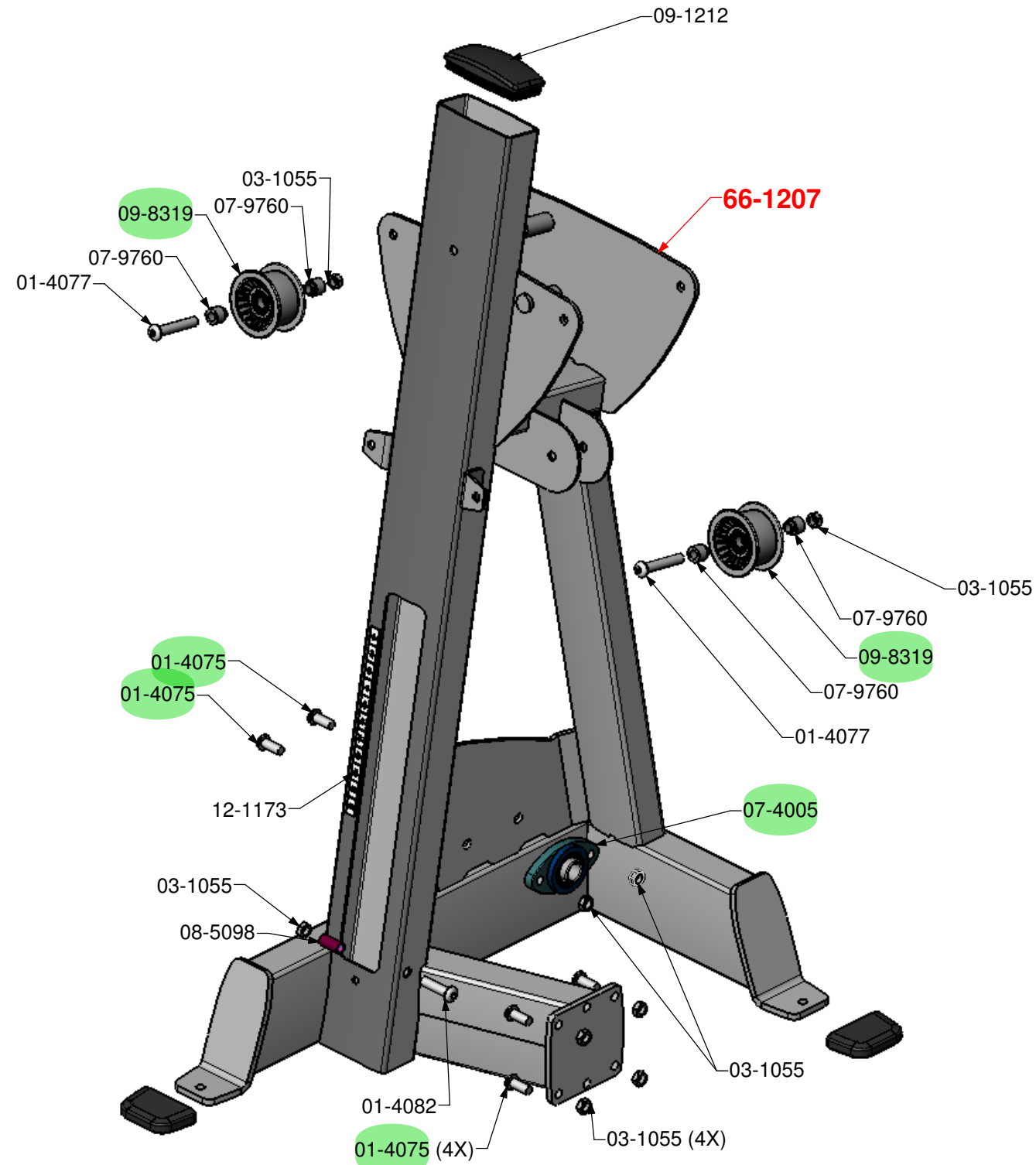
SCALE: 1:10 SHEET 1 OF 5

INCH_D_REV E

S6LR

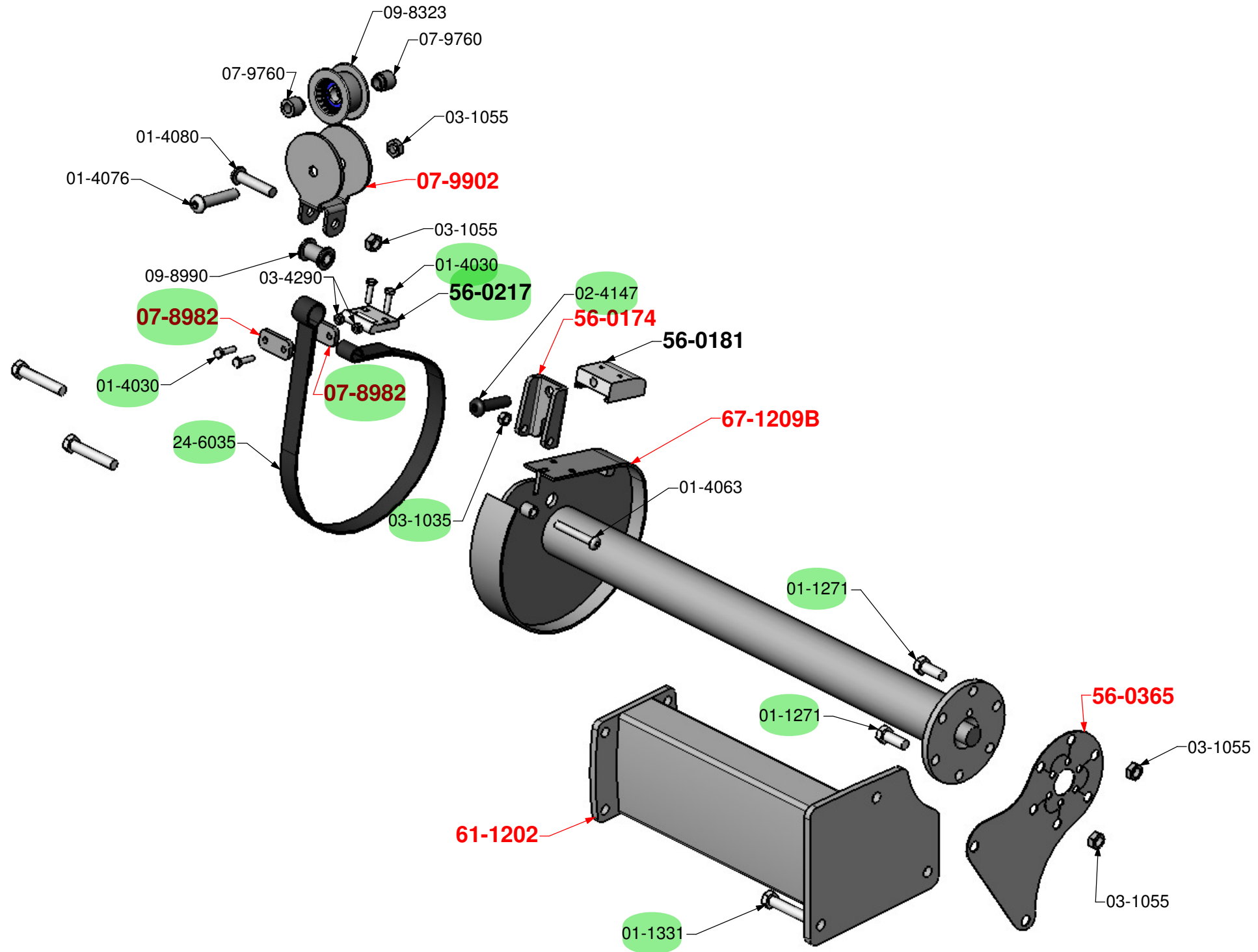
**BOLD BLACK INDICATES
UPHOLSTERY**

**BOLD RED INDICATES
POWDER COATING**



S6LR

**BOLD RED INDICATES
POWDER COATING**



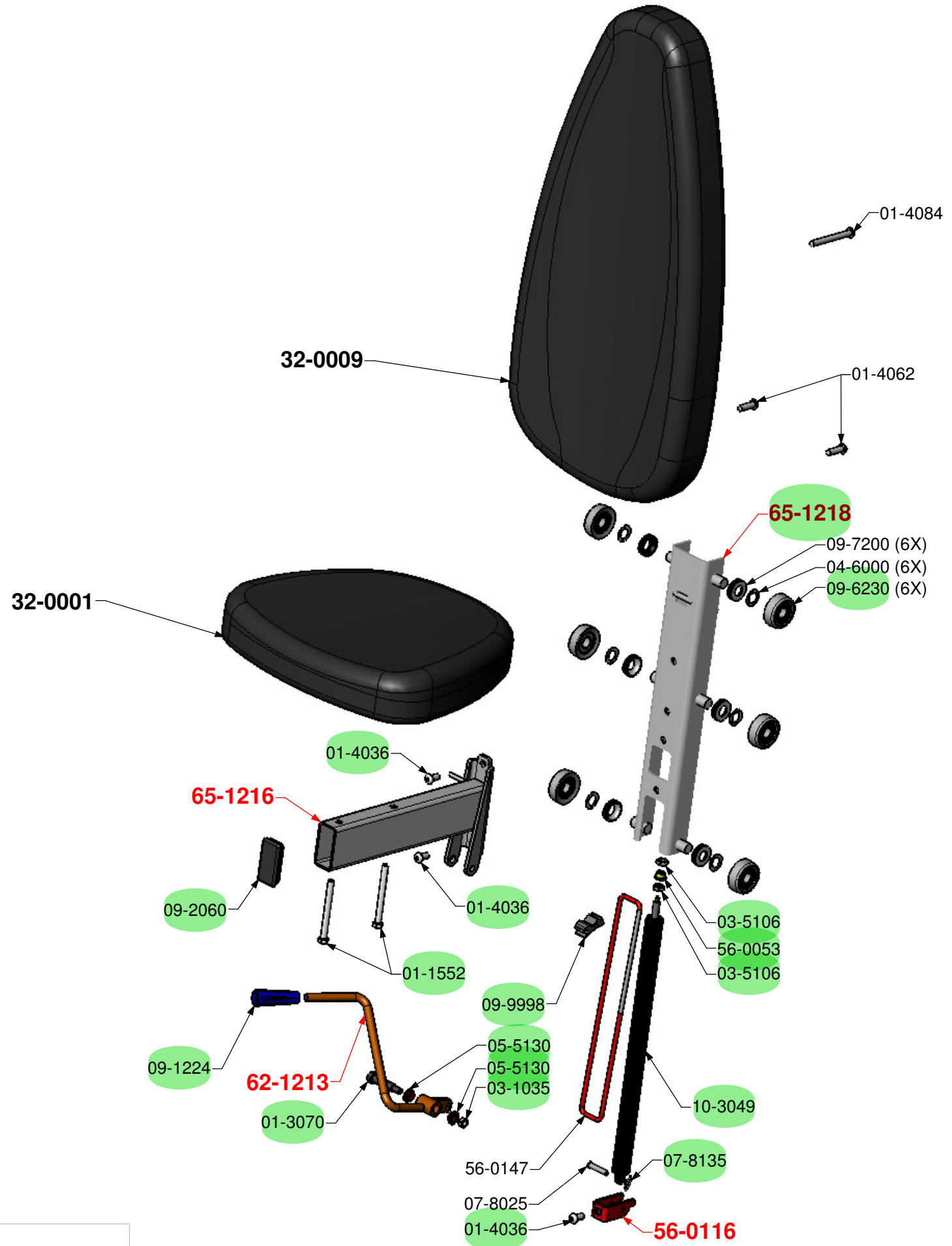
DESIGNED	R.ANDERS
DRAWN	C.Wishon
DATE	11/08/07
ALL APPLICABLE NAUTILUS STANDARDS AND SPECIFICATIONS APPLY.	

TITLE	S6 LATERAL RAISE	
SIZE	PART NO.	REV.
D	S6LR	G

S6LR

BOLD BLACK INDICATES UPHOLSTERY

BOLD RED INDICATES POWDER COATING



DESIGNED	R.ANDERS	TITLE	S6 LATERAL RAISE	
DRAWN	C.Wishon	SIZE	D	
DATE	11/08/07	PART NO.	S6LR	
ALL APPLICABLE NAUTILUS STANDARDS AND SPECIFICATIONS APPLY.		REV.	G	
SCALE: 1:4		SHEET 5 OF 5		INCH_D_REV E